

**MEHTA**

**LASER**  
CUTTING, MARKING, ENGRAVING,  
WELDING, CODING



**ELITA**  
**SERIES**

**Laser Engraver**



← Elita 43



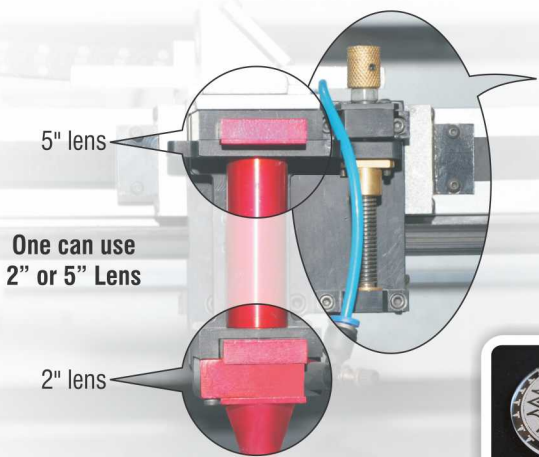
← Elita 480  
Elita 21 →



## FEATURES

- ▶ Special design of carriage where 2" lens or 5" lens both can be used. 5" lens gives better quality of cutting, if the thickness of material is more than 10mm and 2" lens should be used for cutting media less than 10 mm thickness
- ▶ High quality touch panel display – very easy to use
- ▶ Pass through design for long length of work piece in Y-axis direction
- ▶ Machine is provided with Foot-mounting legs so that there is no vibration in machine and machine can be adjusted on zero level.
- ▶ As it is made in India No waiting period for spare parts & quick service support
- ▶ Machine is provided with heavy duty compressor which has Air-assist combining adjustable focus systems in coaxial jet air to prevent cutting edge from burning down
- ▶ Laser cut software with window based software enhance cutting speed & angle / curve performance
- ▶ Laser seals the edges of fabric while cutting
- ▶ Maximum cutting thickness of acrylic – 25mm
- ▶ High quality of chiller unit for better performance and long life of laser tube





Very easy height adjustment



User Friendly Control Panel



For Elita 21

For Elita 43/32

Chillers



Acrylic Engraving



Acrylic Cutting



Paper Cutting



MDF Cutting

## SPECIFICATIONS

MODEL	Elita 43	Elita 32	Elita 21	Elita 480
X,Y Cutting Area	4' x 3' (1220 mm x 918 mm)	3' x 2' (918 mm x 610 mm)	2' x 1.5' (600 mm x 450 mm)	4' x 8' Feet
Laser Power	80 W / 100 W	80 W / 100 W	40 W / 60 W	60 / 80 / 100 / 130 / 150 / 180 W
Traveling Speed	0.1 to 400 mm/s			
Reposition Accuracy	0.025 mm			
Minimum Letter Size	1 mm (English Font)			
X Y Movement System	Linear Guide Way			
Z - Axis Movement	Manual			
Power Adjustment	1 to 100 %			
Maximum Cutting Thickness	Up to 25 mm Acrylic		Up to 15 mm Acrylic	Up to 25 mm Acrylic
Driving System	Stepper Motor			
Operating System	Win XP, Win 7 32 bit			
Interface	USB interface			
Supported Format	PLT, DXF, AI, BMP			
Working Voltage	Single Phase 220V/50Hz (Required Earthing)			
Running Environment	45°C, Humidity 5% - 80%			
Operating Display	DSP Controller			
Memory Buffer	100 MB (Max. 33 files)			
Overall Dimension (L x W x H)	1525 x 1920 x 1100 mm	1200 x 1780 x 1460 mm	1017 x 1450 x 996 mm	1017 x 1450 x 996 mm
Weight	332 Kg	243 Kg	190 Kg	190 Kg
Power Consumption	2 KW		1.2 KW	1.2 KW

Specifications are liable to change without prior notice. All trademarks mentioned are property of their respective owners.



Manufacturer & Exporter

**MEHTA CAD CAM SYSTEMS PVT. LTD.**

HEAD OFFICE : 4 & 5, 2nd Floor, Sumel Complex,  
Opp. GNFC Info Tower, Sarkhej Gandhinagar Road,  
Ahmedabad-380 059. INDIA.

**Contact:**

Tele. : +91 - 79 - 2684 0551 / 2684 0552 / 2684 0553

Fax : +91 - 79 - 2684 0554

### Mehta's Other Range of Laser Machines



For Immediate Assistance, Contact on **092279 85717, 092276 78044**



mktg@mehtaindia.com



www.mehtaindia.com

DELHI | MUMBAI | CHENNAI | KOLKATA | BANGALORE | HYDERABAD | JAIPUR | PUNE | INDORE | CHANDIGARH | RAIPUR | LUCKNOW | GUWAHATI | VIJAYWADA | LUDHIANA | SURAT | PATNA | COCHIN